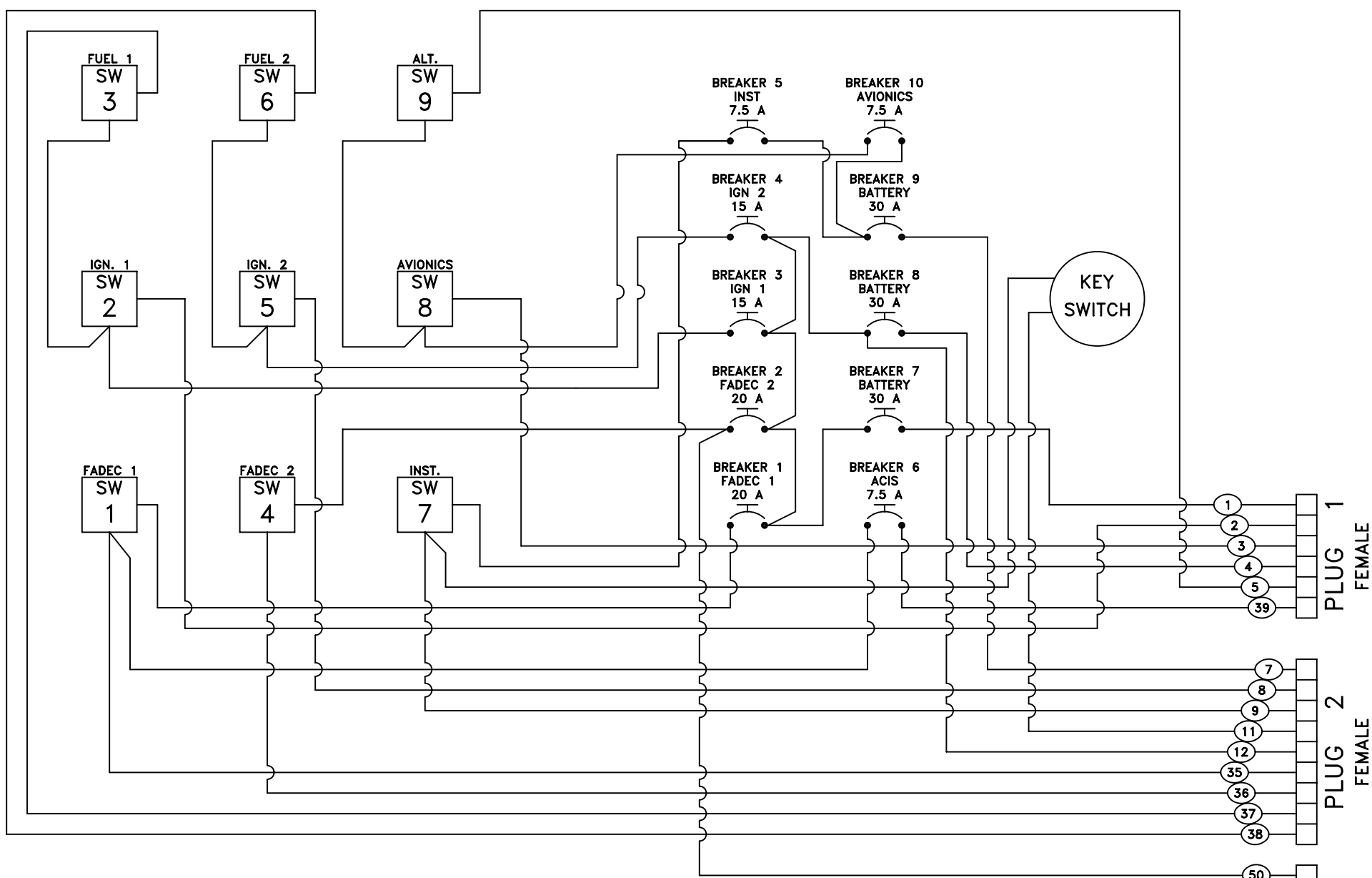


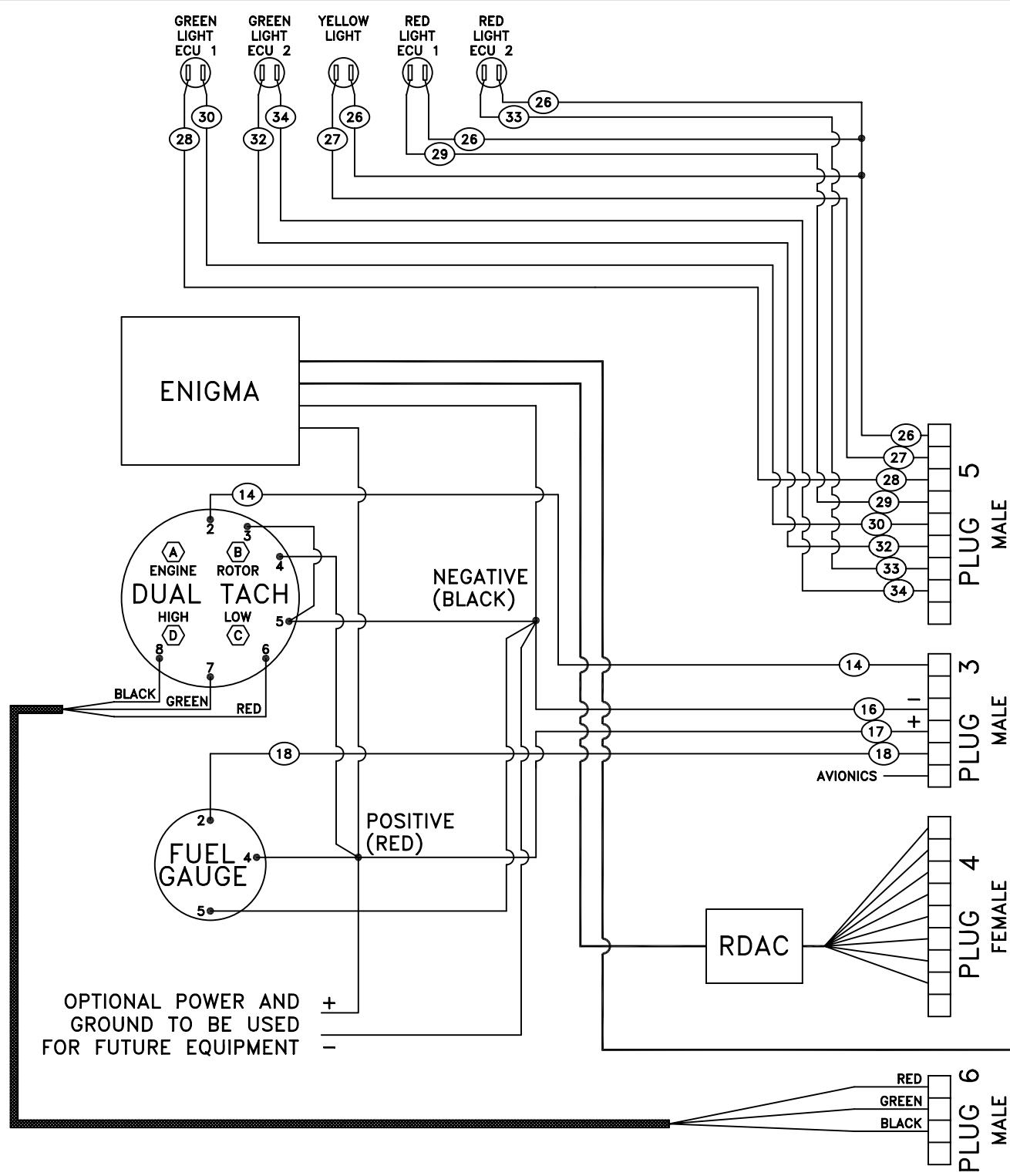
OVERHEAD SWITCH PANEL



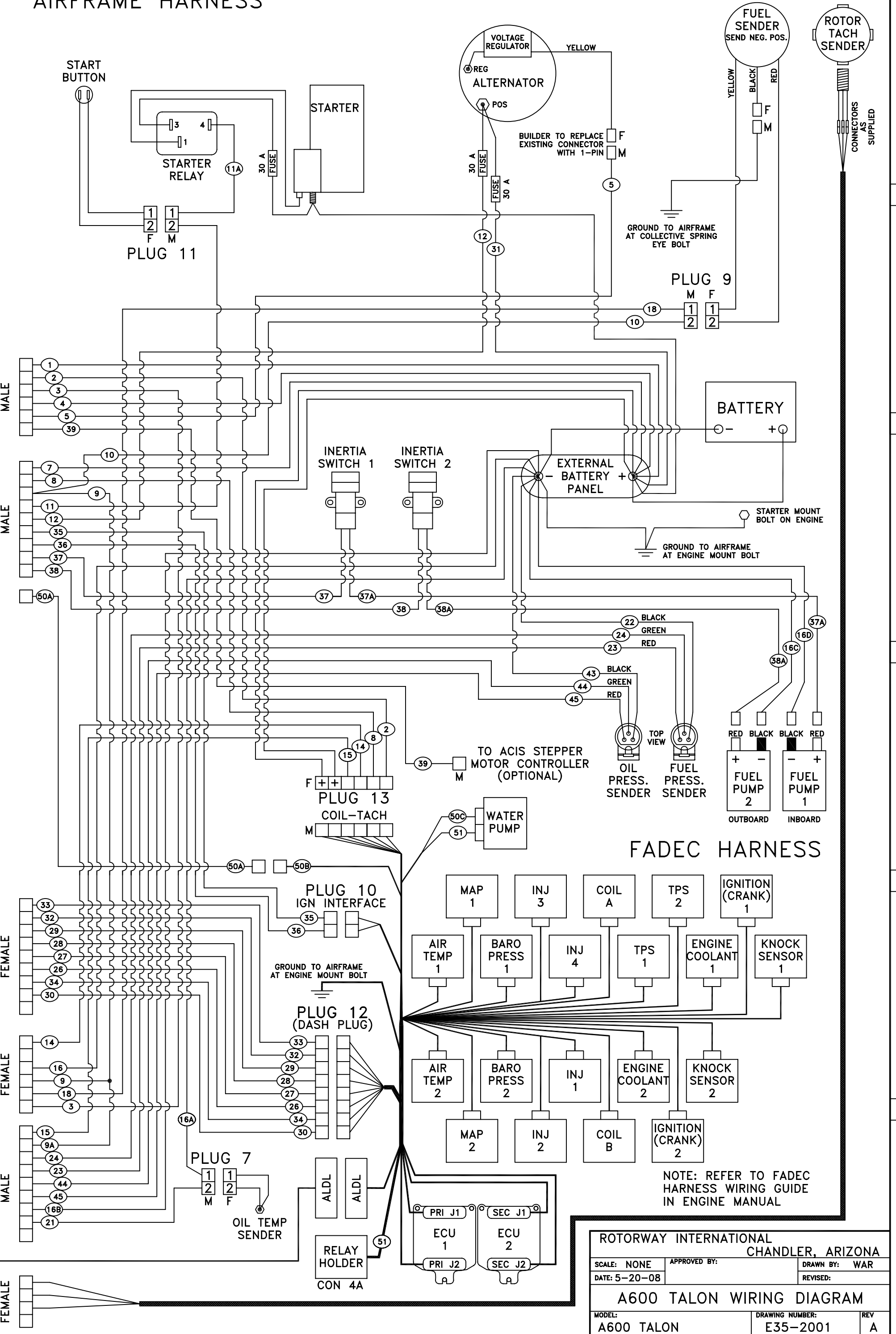
NOTE: FOR DRAWING CLARITY, WIRE POSITIONS ON 9 PIN CONNECTORS SHOWN HERE ARE NOT THE SAME AS ON ACTUAL PLUGS.

INSTRUMENT PANEL

NOTE:
WIRES TO GAUGES ARE
COLOR CODED AS FOLLOWS:
YELLOW: SENDER
RED: POSITIVE
BLACK: GROUND



AIRFRAME HARNESS



FADEC HARNESS

NOTE: REFER TO FADEC HARNESS WIRING GUIDE IN ENGINE MANUAL

ROTORWAY INTERNATIONAL
 CHANDLER, ARIZONA
 SCALE: NONE APPROVED BY: DRAWN BY: WAR
 DATE: 5-20-08 REVISED:
A600 TALON WIRING DIAGRAM
 MODEL: A600 TALON DRAWING NUMBER: E35-2001 REV: A